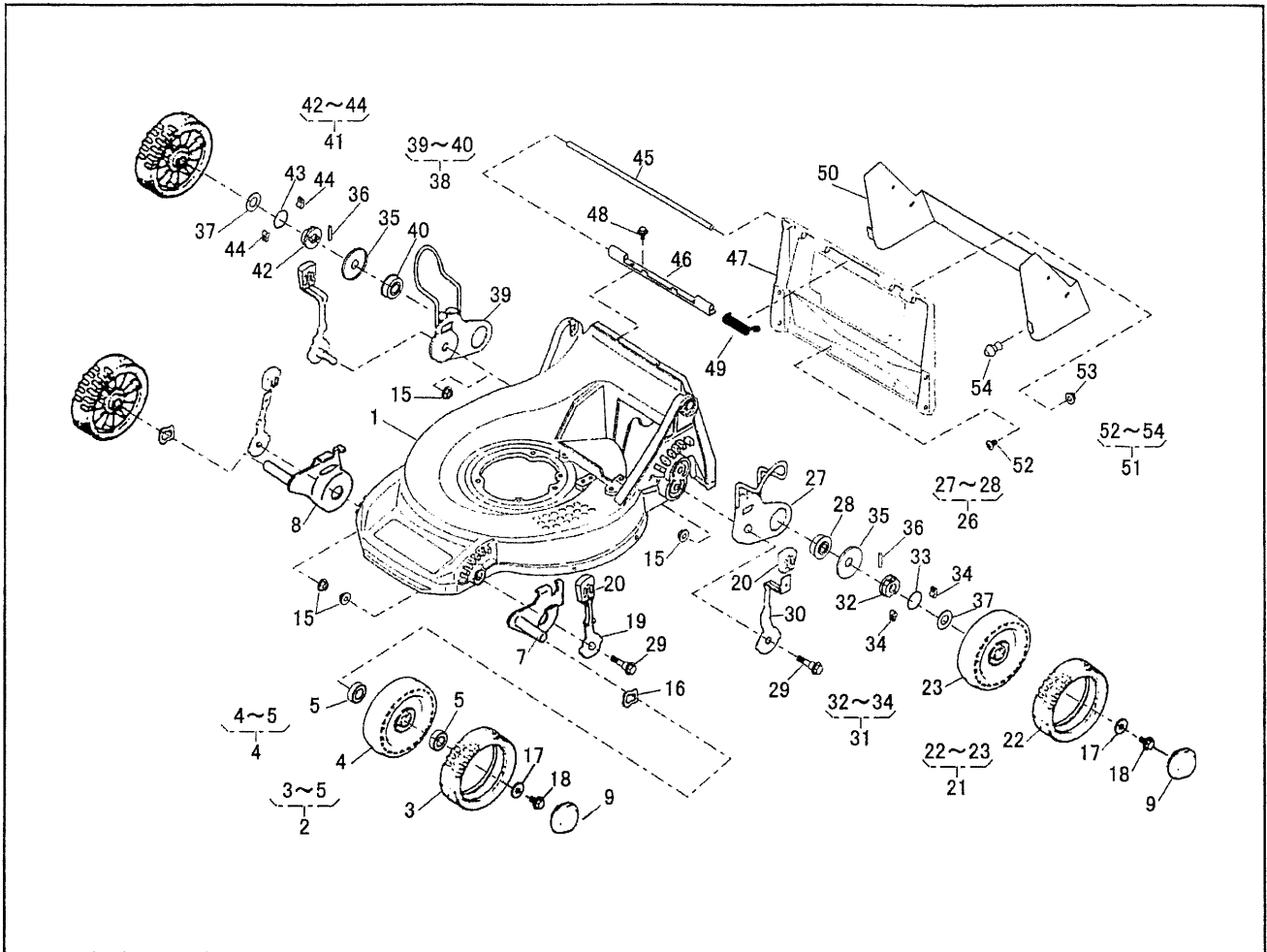


PARTS LIST

MODEL : LM5360HX (KAAZ)

46014-142

REF. No.	PARTS No.	PARTS NAME	WHEEL		PRICE()	1/2		REMARKS
			Q'TY INCLUDING			RECOMM.(%) Lot.100		
1	51043 136 42	HOUSING	1			3		
2	71041 103	WHEEL ASSY	2			3		
3	91086 102	TIRE		2		15		
4	36107 102	WHEEL		2		3		
5	932L 0696	BEARING		4		5		
6								
7	11142 112	ADJUSTER	2			5		
8	11142 113	ADJUSTER	2			5		
9	38070 110	CAP	4			3		
10								
11								
12								
13								
14								
15	569L 0800	FLANGE NYLON NUT	4			10		M8
16	664V 0626	WAVE SPRING WASHER	2			5		
17	68036 101	WASHER	4			3		
18	31057 181	HEXAGON BOLT	4			3		
19	11150 101 09	ADJUST LEVER	2			5		
20	38061 121	KNOB	4			3		
21	71041 112	WHEEL ASSY	2			3		
22	91086 106	TIRE		2		15		
23	36107 101	WHEEL		2		3		
24								
25								
26	71122 101	ADJUSTER ASSY(L)	1			-		
27	11142 104	ADJUSTER	1			3		

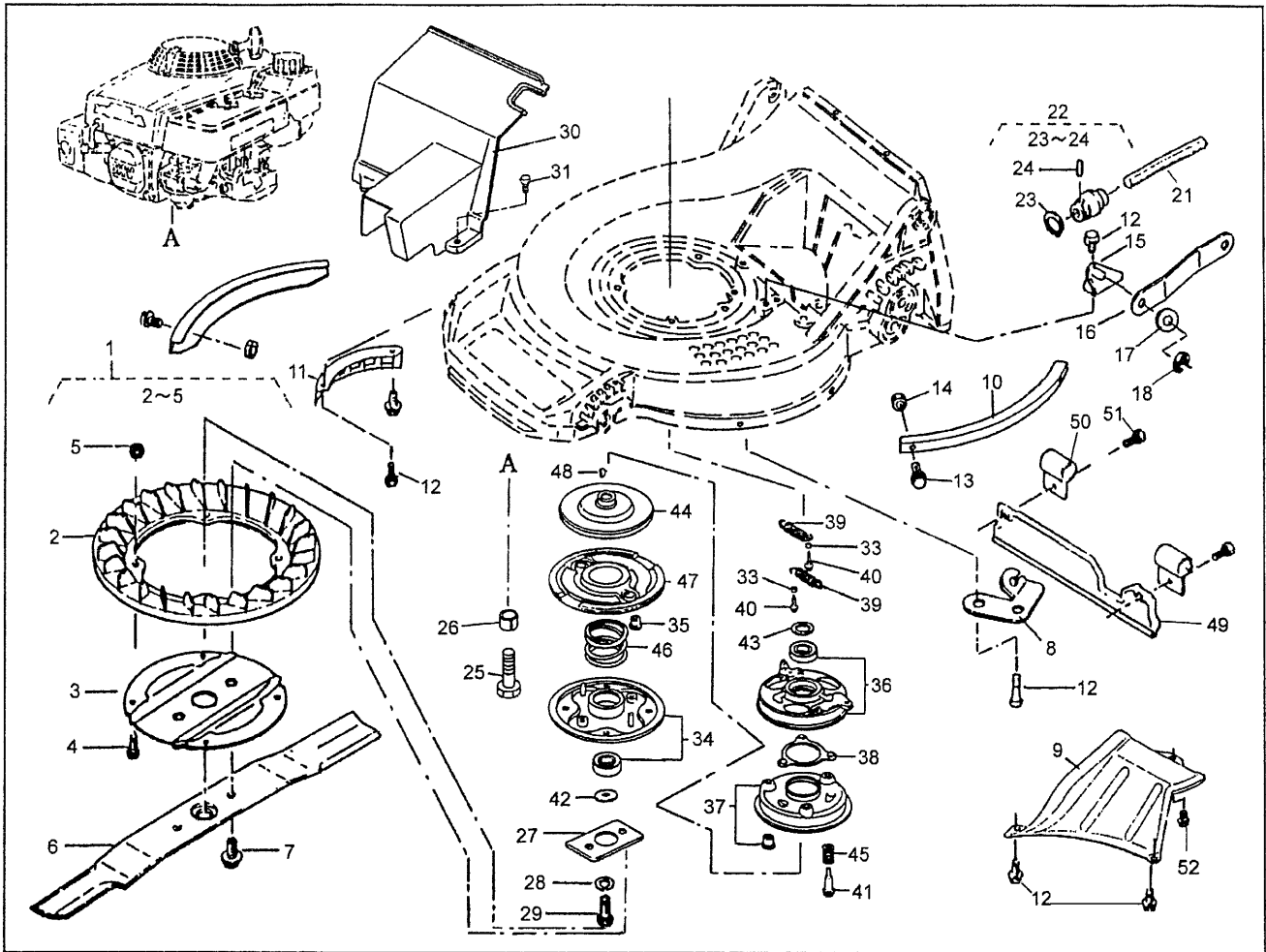


PARTS LIST

MODEL : LM5360HX (KAAZ)

46014-142

REF. No.	PARTS No.		PARTS NAME	WHEEL		2/2	RECOMM.(%) Lot.100	REMARKS
				Q'TY INCLUDING	PRICE()			
28	945L	0349	BEARING	1			10	
29	31057	132	HEXAGON BOLT	4			5	
30	11150	102 09	ADJUST LEVER	2			5	
31	71158	102	RATCHET ASSY(L)	1			-	
32	11102	138	HOLDER	1			3	
33	68013	266	SPRING	1			5	
34	31034	170	PIN	2			3	
35	61003	112	THRUST PLATE	2			10	
36	31034	137	PIN	2			10	
37	68036	146	WASHER	2			3	
38	71122	102	ADJUSTER ASSY(R)	1			-	
39	11142	105	ADJUSTER	1			3	
40	945L	0349	BEARING	1			10	
41	71158	101	RATCHET ASSY(R)	1			3	
42	11102	138	HOLDER	1			3	
43	68013	266	SPRING	1			5	
44	31034	170	PIN	2			3	
45	64014	234	SHAFT	1			3	
46	11113	292	STAY	1			3	
47	36068	171 46	GUARD	1			3	
48	342J	0612	FLANGE BOLT TAPPING	2			3	M6 × 12
49	68013	336	SPRING	1			3	
50	36065	298 09	COVER	1			3	
51	71137	194	BOLT AND NUT SET	1			-	
52	376L	0508	(+)TRUSS SCREW	6			3	M5 × 8
53	579L	0500	FLANGE NUT	6			3	M5
54	36006	113	ABSORBER	2			10	

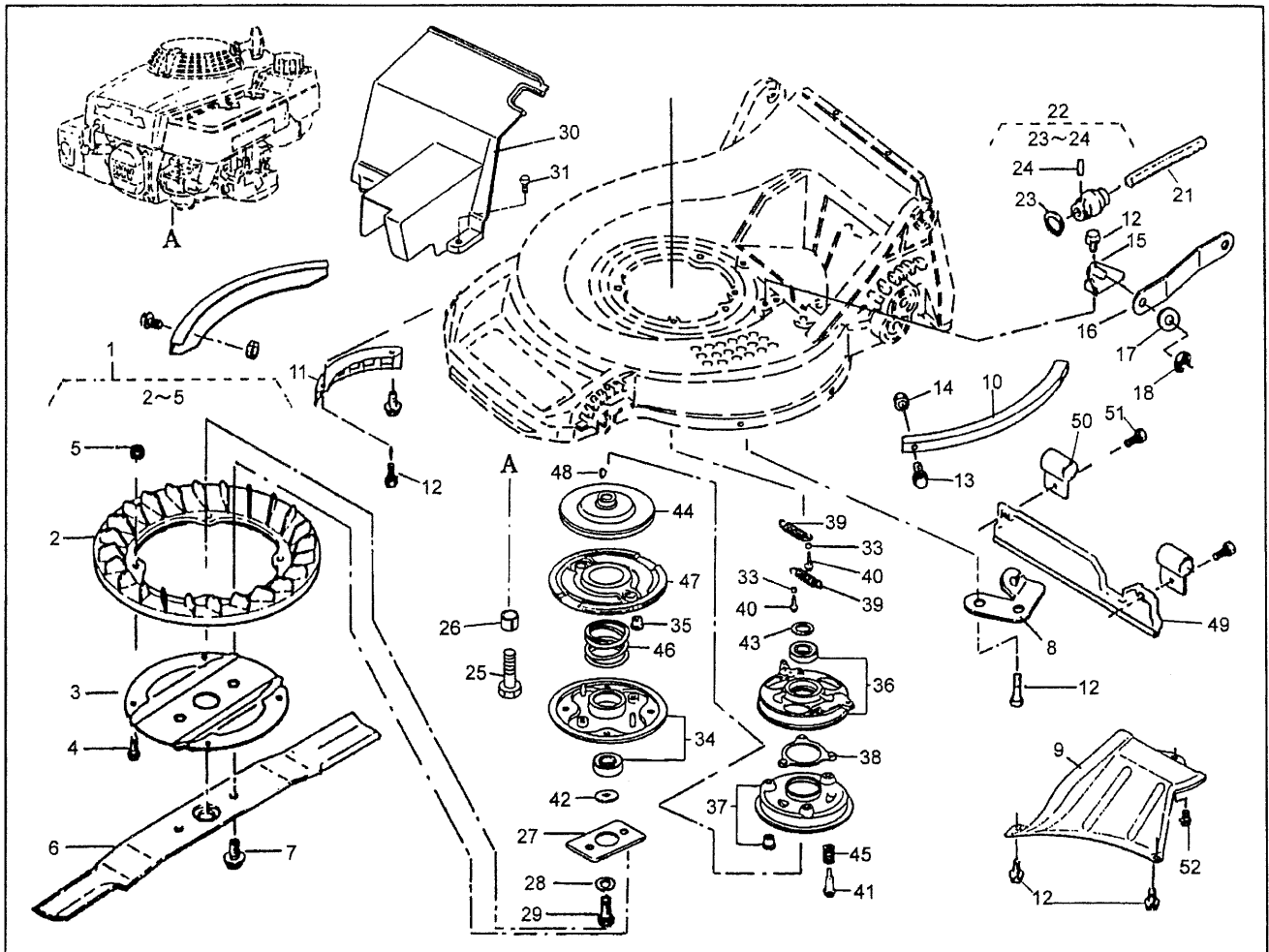


PARTS LIST

MODEL : LM5360HX (KAAZ)

46014-142

REF. No.	PARTS No.	PARTS NAME	GRASS-CUTTING			1/2		RECOMM.(%) Lot.100	REMARKS
			Q'TY	PRICE()					
			INCLUDING						
1	71082 110	FAN ASSY	1				-		
2	51125 103	FAN	1				5		
3	11102 151	HOLDER	1				5		
4	335L 0620	FLANGE BOLT	4				5	M6 × 20	
5	569L 0600	FLANGE NYLON NUT	4				5	M6	
6	91014 159	BLADE	1				15		
7	31057 197	HEXAGON BOLT	2				15		
8	51002 118	WIRE HOLDER	1				3		
9	36065 300	COVER	1				10		
10	51090 117 09	PROTECTOR	2				5		
11	36065 180	COVER	1				3		
12	342J 0612	FLANGE BOLT TAPPING	8				3	M6 × 12	
13	335L 0610	FLANGE BOLT	4				5	M6 × 10	
14	512L 0600	HEXAGON NUT	4				3	M6	
15	11006 113	STAY C.P.	1				5		
16	91049 116	CONNECTOR	1				5		
17	611L 1000	WASHER	1				3	M10	
18	816V 0800	E-SNAP RING	1				5	φ8	
19									
20									
21	64014 222	SHAFT	1				3		
22	91097 101	UNIVERSAL JOINT	1				3		
23	812V 2000	C-SNAP RING FOR SHAFT	1				1	φ20	
24	717B 0418	PARALLEL PIN	1				5	φ4 × 18	
25	31057 243	HEXAGON BOLT	4				3		
26	61024 142	SPACER	3				3		
27	61024 169	SPACER	1				3		

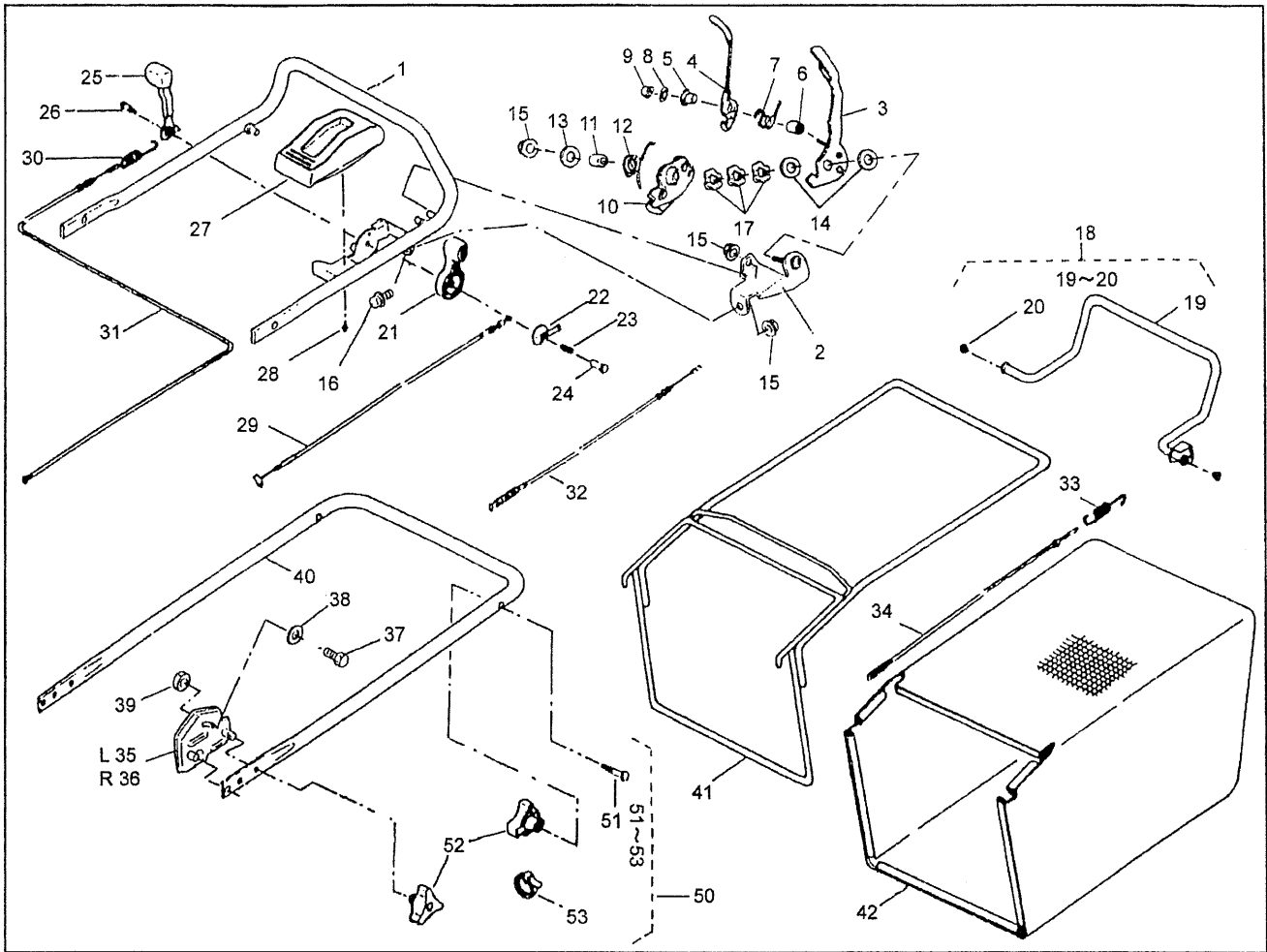


PARTS LIST

MODEL : LM5360HX (KAAZ)

46014-142

REF. No.	PARTS No.		PARTS NAME	GRASS-CUTTING		2/2	RECOMM.(%) Lot.100	REMARKS
				Q'TY	PRICE()			
				INCLUDING				
28	671V	1000	CONICAL SPRING WASHER	1			3	
29	31057	196	HEXAGON BOLT	1			3	
30	36065	397	COVER	1			3	
31	342L	0616	FLANGE BOLT TAPPING	1			3	M6 × 16
32	71067	106	BRAKE ASSY	1			-	
33	19512	883	000 FAN COLLAR	2			-	
34	72600	VA4	010 BLADE HOLDER ASSY	1			3	
35	72613	VA4	000 BLADE HOLDER BUSH	2			5	
36	75090	VA4	030 BALL CONTROL PLATE	1			10	
37	75100	VA4	010 BRAKE C.P.	1			3	
38	75110	VA4	000 BALL RETAINER C.P.	1			10	
39	75182	VA3	J00 CLUTCH RETURN SPRING	2			5	
40	90014	952	000 FLANGE BOLT	4			3	
41	90021	VA4	000 SPECIAL BOLT	3			3	
42	90409	952	000 WASHER	1			3	
43	90501	952	010 THRUST WASHER	1			3	
44	75130	VA4	000 DRIVE DISK	1			3	
45	75132	VA4	000 BRAKE HOLDER SPRING	3			5	
46	75183	VA3	J00 CLUTCH SPRING	1			3	
47	75150	VA3	J01 DRIVEN DISK C.P.	1			3	
48	94401	16150	WOOD RUFF KEY	1			15	
49	36046	118	SAFETY GUARD	1			3	
50	11012	126	HANGER BAND	2			3	
51	335L	0616	FLANGE BOLT	2			15	M6 × 16
52	342J	0610	FLANGE BOLT TAPPING	1			3	M6 × 10

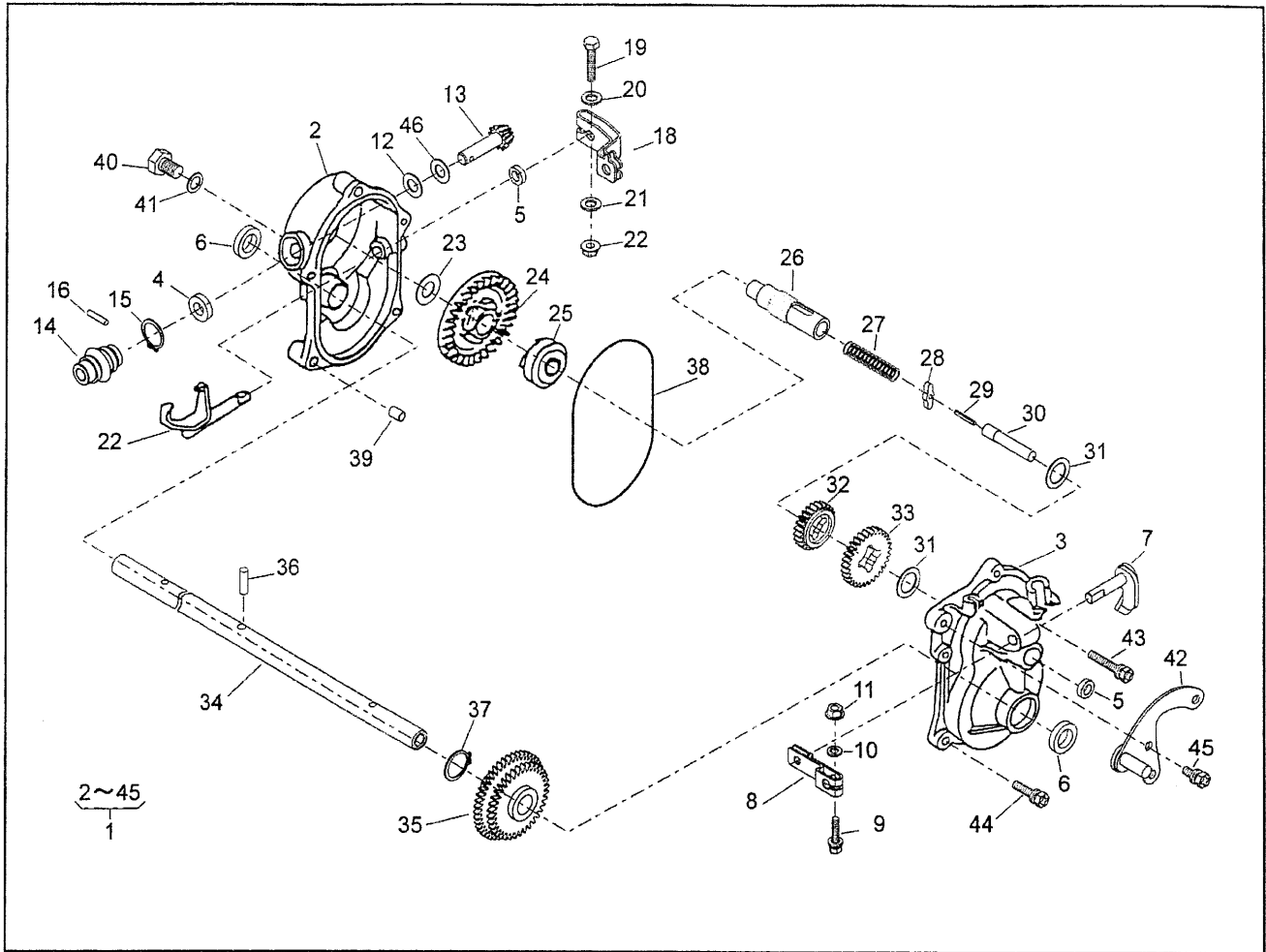


PARTS LIST

MODEL : LM5360HX (KAAZ)

46014-142

REF. No.	PARTS No.	PARTS NAME	HANDLE			1/2	Jan.26,2003
			Q'TY	PRICE()	RECOMM.(%)	REMARKS	
			INCLUDING		Lot.100		
1	51027 242	HANDLE	1		3		
2	11113 396 09	STAY	1		5		
3	11095 160 09	LEVER	1		10		
4	11095 161 09	LEVER	1		10		
5	76007 131	BUSH	1		10		
6	61024 206	SPACER	1		5		
7	68013 334	SPRING	1		5		
8	68036 198	WASHER	1		3		
9	563L 0600	U-HEXAGON CAP NUT	1		5	M6	
10	11109 108	LINK	1		5		
11	61024 207	SPACER	1		10		
12	68013 335	SPRING	1		10		
13	68036 262	WASHER	1		5		
14	68036 200	WASHER	2		5		
15	569L 0800	FLANGE NYLON NUT	3		5	M8	
16	335L 0820	FLANGE BOLT	1		3	M8 x 20	
17	664J 1600	WAVE SPRING WASHER	3		3	M16	
18	71161 111 09	LEVER ASSY	1		-		
19		LEVER		1	-		
20	76007 131	BUSH		2	15		
21	91010 169	THROTTLE LEVER	1		10		
22	61003 113	THRUST PLATE	1		5		
23	68013 356	SPRING	1		3		
24	31058 168	HEXAGON NUT	1		3		
25	11095 117	LEVER	1		3		
26	31062 109	PRE-COAT LOCK BOLT	1		5		
27	71900 796	COVER ASSY	1		3		



PARTS LIST

MODEL : LM5360HX (KAAZ)

46014-142

REF. No.	PARTS No.	PARTS NAME	GEAR CASE		1/2		REMARKS
			Q'TY INCLUDING	PRICE()	RECOMM.(%) Lot.100	Jan.25.2003	
1	71008 275	GEAR CASE ASSY	1		-		
2	51001 195	GEAR CASE	1		3		
3	51001 196	GEAR CASE	1		3		
4	61002 161	OIL SEAL	1		5		SD 10 20 5
5	61002 162	OIL SEAL	2		5		SD 8 14 4
6	61002 163	OIL SEAL	2		5		SD 15 24 5
7	64024 104	THIFTER SHAFT	1		3		
8	11104 119	ARM	1		3		
9	320L 0525	HEXAGON BOLT(PW)	1		3		M5 × 25
10	611L 0500	PLAIN WASHER	1		3		M5
11	571L 0500	FLANGE NUT	1		3		M5
12	61003 109	THRUST PLATE	1		5		
13	78003 111	PINION	1		3		
14	91097 101	UNIVERSAL JOINT	1		3		
15	812V 2000	C-SNAP RING FOR SHAFT		1	1		φ 20
16	717B 0418	PARALLEL PIN		1	3		φ 4 × 18
17	11097 106	SHIFTER FORK	1		3		
18	11104 137	ARM	1		3		
19	311M 0630	(+)HEXAGON BOLT	1		3		M6 × 30
20	611L 0600	PLAIN WASHER	1		3		M6
21	613L 0600	PLAIN WASHER	1		3		M6
22	571L 0600	FLANGE NUT	1		3		M6
23	61024 117	SPACER	1		5		
24	78001 136	BEVEL GEAR	1		3		
25	11129 107	CLUTCH	1		3		
26	64014 236	SHAFT	1		3		
27	68013 262	SPRING	1		3		

